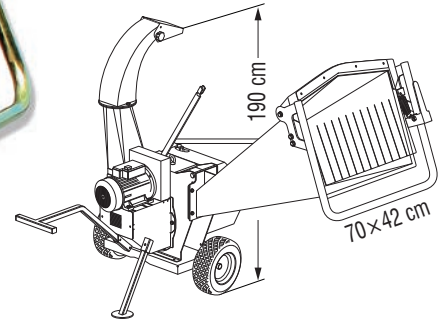


BIOTRITURATORE ELETTRICO TRIFASE 10 HP

BIO 8-E



ORIGINAL
MADE IN ITALY | zanon.it

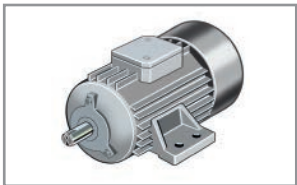


Maniglione di sicurezza
Safety handle
Sicherheitsgriff
Manilla de seguridad
Arceau de sécurité

| | |
|---------|---------------------------------------|
| BIO 8-E | With 10 HP electric three-phase motor |
| BIO 8-E | Elektrischer dreiphasiger Motor 10 HP |
| BIO 8-E | Motor eléctrico trifásico 10 HP |
| BIO 8-E | Moteur électrique triphasé 10 HP |



| MOD | | HP | | |
|---------|---------|--------------|-----|-------------|
| mod. | cod. | HP | kg | cm |
| BIO 8-E | 1002372 | HP 10 - 380V | 230 | 200×112×190 |



| MOD | | | | | | | |
|---------|-----|-------------------|---------|--------------|----|----|----|
| mod. | cm | m ³ /h | rpm/min | nr (type) | nr | nr | nr |
| BIO 8-E | 8,5 | 6 - 5 | 2850 | 2 (XPA 1032) | 12 | 3 | 1 |

| Di serie | Standard equipment | Serienmässig | Estándar | De série |
|---|--|--|--|---|
| <ul style="list-style-type: none"> Ruote per spostamento Tubo di scarico registrabile Filtro olio a cartuccia Avanzamento rullo regolabile idraulicamente Protezioni antinfortunistiche conformi alla normativa CE | <ul style="list-style-type: none"> Transfer wheels Adjustable discharge pipe Oil cartridge filter Adjustable working-speed controlled by hydraulic system Protective equipment as per EC safety rules | <ul style="list-style-type: none"> Satz Hinterräder Regulierbares Entladungsrohr Ölfilterkartusche Hydraulisch einstellbarer Walzenvorschub Unfallschutz nach EU-Vorschriften | <ul style="list-style-type: none"> Ruedas de transporte Tubo de descarga orientable Filtro de aceite (cartucho) Rodillo de alimentación con regulación hidráulico. Protecciones de seguridad de acuerdo con la norma CE | <ul style="list-style-type: none"> Roues de déplacement Tuyau d'échappement réglable Filtre à huile à cartouche Avancement rouleau réglable hydrauliquement Protections contre les accidents aux normes CE |

| cod. | Ricambi | Spare parts | Ersatzteile | Recambios | Pièces de rechange |
|---------|------------------------------|---------------------------|-----------------------------|-----------------------------|---------------------------------|
| 5023072 | Motore orbitale | Orbital motor | Motor augenhöhlen | Motor orbital | Motor orbitaire |
| 5023073 | Motore elettrico 10 HP 380V | Electric motor 10 HP 380V | Motor 10 HP 380V | Motor eléctrico 10 HP 380V | Mateur électrique 10 HP 380V |
| 5210289 | Lama | Blade | Blatt | Cuchilla | Lames |
| 5210290 | Controlama | Counterblade | Gegenschlägel | Contracuchilla | Contre-lames |
| 5226590 | Martello | Hammer | Hammer | Martillo | Marteau |
| 5354052 | Cinghia AX 41 1/2 Dentellata | Belt AX 41 1/2 Dentellata | Riemen AX 41 1/2 Dentellata | Correa AX 41 1/2 Dentellata | Courroie AX 41 1/2 Dentellata |
| 5411020 | Ruota | Wheel | Rad | Rueda | Roue |
| 5433015 | Cartuccia filtro olio | Cartridge filter oil | Patrine Filterölfilter | Cartucho filtro aceite | Huile du filtre de la cartouche |
| 5433014 | Filtro olio completo | Complete filter oil | Filterölfilter | Filtro aceite completo | Huile du filtre complète |
| 2131005 | Accoppiamento rotore pompa | Attachment rotor-pump | Rotor befestigungs pumpe | Conexión bomba / motor | Attelage pompe / rotor |